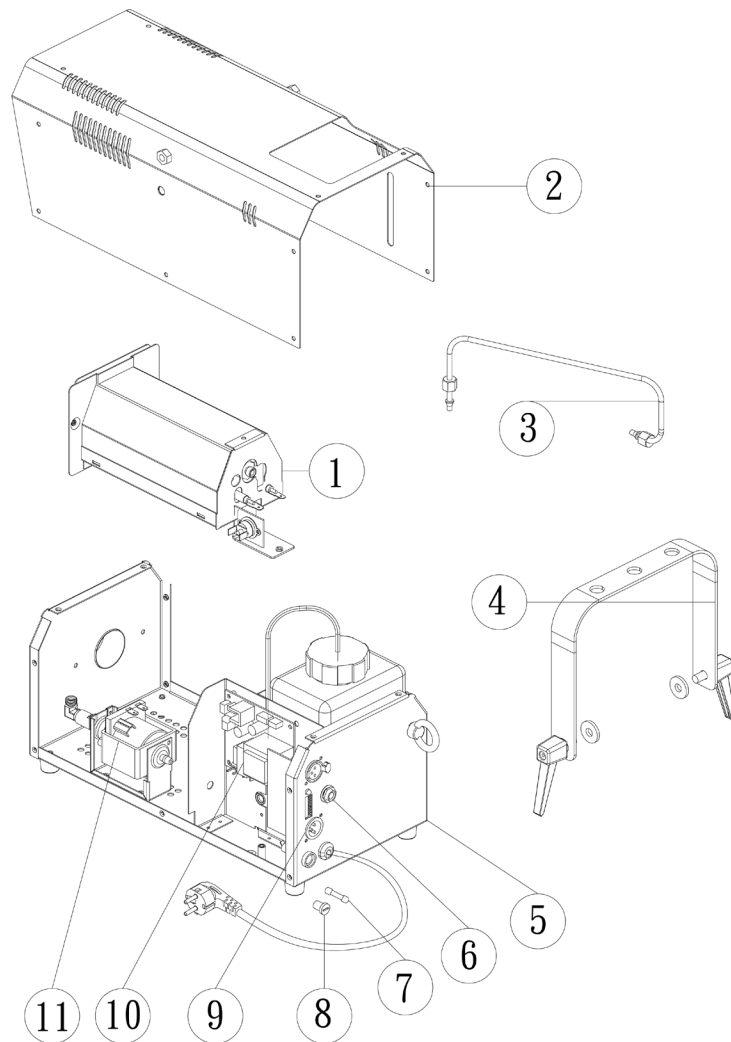


FXWORKS

FXW-1000 USER MANUAL





FXWORKS FXW-1000

- | | | |
|---|---------------|--------------------------|
| ① | FXW-1000-H | Heater (Group) |
| ② | F28000H01-FXW | Steel |
| ③ | FXW-1000-CP | Copper Tube (Group) |
| ④ | FXW-1000-HB | Hanging Bracket (Group) |
| ⑤ | WF1000L00-FXW | Steel |
| ⑥ | C045E1501 | Remote Controller Holder |
| ⑦ | C04118400 | Fuse |
| ⑧ | C04112000 | Fuse Holder |
| ⑨ | FXW-1000-PCBD | DMX P. C Board |
| ⑩ | FXW-1000-PCB | Main P. C Board |
| ⑪ | FXW-1000-P | Pump |

FXWORKS

FXW-1000

Thank you for selecting the FX WORKS products. For the safety reason and in order to experience the best performance, please read and follow the instructions.

Please follow these operation, safety and maintenance instructions to ensure a long and safe life for your fog machine.

SPECIFICATIONS



Input voltage	AC 100-120V , 50/60 Hz
Rated power	1000 Watt
Warm-up time	5.5 minutes
Fluid Consumption	56 ml / per minute (maximum output)
Tank capacity	1.35 liters
Dimensions	L 385 x W 270 x H 247 mm
Weight	5.8 kg

CAUTIONS



Pay attention to all warning labels and instructions printed on the exterior of your fog machine

Danger of electric shock

- Keep this device dry.
- For indoor operations only. Not designed for outdoor use.

- For the 110V models, use 3-prong grounded electrical outlet only. Prior to use, check the specification label carefully and ensure correct power is sent to the machine.
- Unplug machine before filling its fluid tank.
- Keep machine upright.
- Turn off or unplug machine, when it is not in use.
- The machine is not water-proof. If the machine gets wet, unplug and stop using it immediately.
- No user serviceable parts inside. If service is in need, contact a dealer or an qualified service personnel.

Danger of burns

- For adult use only. Machine must be placed out of the reach of children. Never leave the unit running unattended.
- Keep nozzle at least 50cm (20 inch) away from contacting anything while in operation. The fog output around nozzle is very hot. It could be close to or above 300°C (600°F)
- Never aim the output nozzle at people.
- Locate the machine in a well-ventilated area. Never block the unit's ventilation. Give at least 20cm (8 inch) space around the machine.
- Let machine cool down to room temperature, if cleaning or service must be carried out.

Danger of explosion

- Never add flammable liquids of any kind (oil, gas, perfume) to the fog liquid.
- Only use water-based fog fluids recommended by the machine's manufacturer. Always make sure there is sufficient fog fluids in the fluid tank. Operating this unit without fog fluid can cause damages to the pump and the heater.
- If machine fails to work properly, discontinue operation immediately. Empty the fluid tank and pack the unit securely (preferably in the original packing box), and return it to your dealer for inspection.
- Empty fluid tank before transporting machine.

OPERATION

- Plug power cord into a grounded electrical outlet. Then turn on the power switch on the rear of the unit. The machine starts to warm up right away. At the same time, the “Ready” (Green) and “Power” (Red) lamps on the timer remote control will flash. When warm-up is complete the Green and Red lamps will stay lit.
- To emit fog, press the Green button on the remote and hold for the desired length of time.
- The output will stop when the unit needs to warm-up again, and the “Ready” (Green) and “Power” (Red) lamps on the timer remote control will flash.
- To activate the timer function, turn the knob from off to on and adjust the knob to the length of time for “INTERVAL” needed.
- When the timer function is activated, the “Timer” (Yellow) lamp will be on and the “OUTPUT” time is fixed to 10 mins.

INSTALLATION

The FXW-1000 fog machine includes a mounting bracket designed for overhead installation. This bracket allows the unit to be hung from lighting equipment trussing or other suitable supports.

The unit can also be operated at floor level or sitting on any regular surface as well.

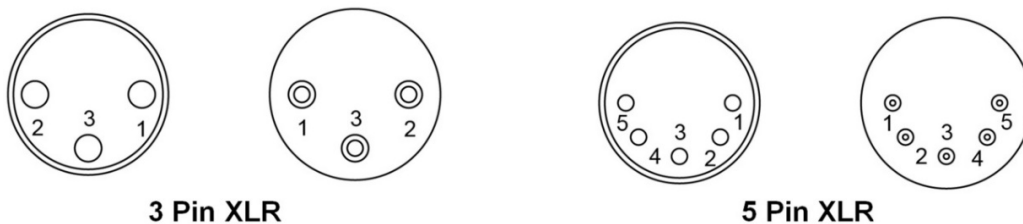
If the unit is to be mounted with the hanging bracket, it is important not to point the nozzle in a direction that will aim directly at a person.

Whatever installation method you choose, do not allow the unit to have more than a 15 degree angle of inclination

DMX OPERATION

DMX OPERATION –

The machine provides a 3 or 5 pin XLR connector for DMX connection. The diagram below indicates pin assignment information.

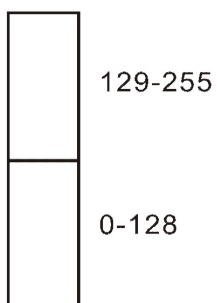


Pin	Function
1	Ground
2	Data-
3	Data+
4	N/A
5	N/A

ON-BOARD DMX FOG MACHINE SETTINGS –

DMX Setting for FXW-1000 fog machines with on board DMX

Channel A



0 - 128 = OFF

129 – 255 = Maximum Volume Output (100%)

The FXW-1000 Fog Machine have an on-board DMX control. FXW-1000 use 1 channel to control on/off operation. Each channel has a value range of 0 to 255. On/Off function can be programmed using the DMX controller or the DMX control software being used by lighting and effects operator.

If Channel A has a value from 0 to 128, the unit is OFF.

Between the values 129 to 255 the volume of fog output is is at maximum.

Note: In the example above, if the machine was assigned the DMX address of 130, Channel A would correspond to DMX address 130.

In general, Antari fog machines with onboard DMX conform to the following performance specifications:

1. Average Operating temperature = 250°C
2. Fogger can maintain maximum output for 30 seconds or more

ADDRESSING –

Each device occupies 1 channel. To ensure that the control signals are properly directed to each device, they require addressing. This is to be adjusted for every single device by changing the DIP-switches as set out in the table below.

The starting address is defined as the first channel from which the device will respond to the controller.

Please make sure that you do not have any overlapping channels in order to control each device correctly and independently from any other fixture on the DMX data link. If two, three or more devices are addressed similarly, they will work similarly.

OCCUPATION OF THE DIP-SWITCHES –

Setting the DMX-starting address:	DIP-switch no.	1	2	3	4	5	6	7	8	9
Device number & channels	Starting address	1	2	4	8	16	32	64	128	256
Device 1 - channel 1	On	▲								
	Off		▼	▼	▼	▼	▼	▼	▼	▼
Device 2 - channel 2	On		▲							
	Off	▼		▼	▼	▼	▼	▼	▼	▼
Device 3 - channel 3	On	▲	▲							
	Off			▼	▼	▼	▼	▼	▼	▼
Device 4 - channel 4	On			▲						
	Off	▼	▼		▼	▼	▼	▼	▼	▼
Device 5 - channel 5	On	▲		▲						
	Off		▼		▼	▼	▼	▼	▼	▼

REMOTE CONTROL OPERATION



VR-1 ON/OFF wired remote controller

RECOMMENDED FOG FLUIDS



FLW-4



FLW-20

Only use FX WORKS fluids for the FX WORKS Machine.

The machine is tested and calibrated with this fluid to get the best output performance. Warranty will be void if any other type of fluid is used. Improper use of fluid may lead to machine failure.

WARRANTY

The FXW-1000 comes with a one year (365 days) limited factory warranty from FX Works. Details of the warranty coverage are specified with the included warranty card. Should you ever need warranty service, please contact your dealer or an authorized FX Works service center. All returned service items whether under warranty or not, must be freight pre-paid and accompany a return merchandise authorization (RMA) number. The RMA number must be clearly noted on the outside of the return package. A brief description of the problem as well as the RMA number must also included in the inside the returning package. If the unit is under warranty, you must provide a copy of your proof of purchase invoice to validate your purchase. You may obtain a RMA number by contacting customer support at (951) 373-7600 x 1007.

DISCLAIMER

©FX Works all rights reserved. Information, specifications, diagrams, images, and instructions herein are subject to change without notice. FX Works and Antari Lighting and Effects Ltd. logos, identifying product names, and numbers herein are trademarks of Antari Lighting and effects Ltd. Copyright protection claimed includes all forms and matters of copyrightable materials and information now allowed by statutory or judicial law or hereinafter granted. Product names and models used in this document may be trademarks or registered trademarks of their respective companies and are hereby acknowledged. Any non-FX Works and Antari Lighting and effects Ltd. brands and product names are trademarks or registered trademarks of their respective companies.

Antari Lighting and Effects Ltd. and all affiliated companies hereby disclaim any and all liabilities for personal, private, and public property, equipment, building, and electrical damages, injuries to any persons, and direct or indirect economic loss associated with the use or reliance of any information contained within this document, and/or as a result of the improper, unsafe, insufficient and negligent assembly, installation, rigging, and operation of this product.

FXWORKS
FXW-1000



CO8FX1000