

FXWORKS

FXW-800 USER MANUAL

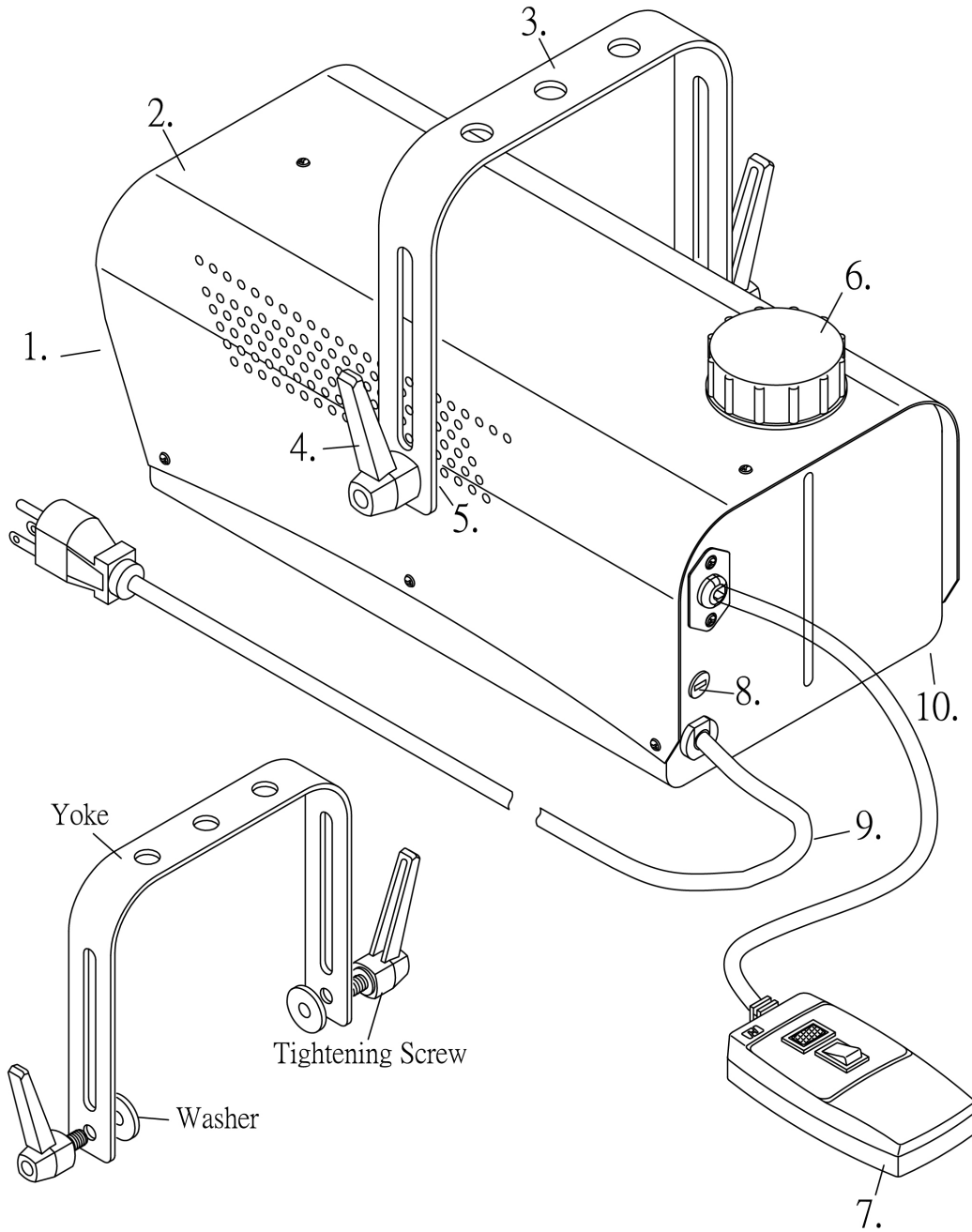


FXWORKS

FXW-800

1. Nozzle
2. Body
3. Yoke
4. Tightening screw
5. Washer

6. Tank cap & tank
7. Remote control
8. Fuse holder
9. Power cord
10. Foot



FXWORKS

FXW-800

Thank you for selecting the FX WORKS products. For the safety reason and in order to experience the best performance, please read and follow the instructions.

**Please follow these operation, safety and maintenance instructions to ensure
a long and safe life for your fog machine.**

SPECIFICATIONS



Input voltage	AC 100-120V , 50/60 Hz
Rated power	800 Watt
Warm-up time	4 minutes
Fluid Consumption	11ml / per minute (maximum output)
Tank capacity	0.8 liters
Dimensions	L330 x W 160 x H 130 mm
Weight	3.6 kg

CAUTIONS



Pay attention to all warning labels and instructions printed on the exterior of your Fog Machine

Danger of electric shock

- Keep this device dry.
- For indoor operations only. Not designed for outdoor use.
- For the 110V models, use 3-prong grounded electrical outlet only. Prior to use, check the specification label carefully and ensure correct power is sent to the machine.
- Unplug machine before filling its fluid tank.
- Keep machine upright.
- Turn off or unplug machine, when it is not in use.
- The machine is not water-proof. If the machine gets wet, unplug and stop using it immediately.
- No user serviceable parts inside. If service is in need, contact a dealer or an qualified service personnel.

Danger of burns

- For adult use only. Machine must be placed out of the reach of children. Never leave the unit running unattended.
- Keep nozzle at least 50cm (20 inch) away from contacting anything while in operation. The fog output around nozzle is very hot. It could be close to or above 300°C (600°F)
- Never aim the output nozzle at people.
- Locate the machine in a well-ventilated area. Never block the unit's ventilation. Give at least 20cm (8 inch) space around the machine.
- Let machine cool down to room temperature, if cleaning or service must be carried out.

Danger of explosion

- Never add flammable liquids of any kind (oil, gas, perfume) to the fog liquid.
- Only use water-based fog fluids recommended by the machine's manufacturer. Always make sure there is sufficient fog fluids in the fluid tank. Operating this unit without fog fluid can cause damages to the pump and the heater.
- If machine fails to work properly, discontinue operation immediately. Empty the fluid tank and pack the unit securely (preferably in the original packing box), and return it to your dealer for inspection.
- Empty fluid tank before transporting machine.

OPERATION

- Plug power cord into a grounded electrical outlet. Turn power switch on rear of unit to “ON” position. The machine starts to warm up and the red light on the remote control will be on. When warm-up is complete the red light is off.
- To emit fog, press the button on the remote and hold for the desired length of time.
- The remote unit’s light will cycle on and off as the machine re-heats to the proper operating temperature.
- For further information on operating your Antari Fog Machine, see the section titled, “Remote Control Operation”.

INSTALLATION

The FXW-800 fog machine includes a mounting bracket designed for overhead installation. This bracket allows the unit to be hung from lighting equipment trussing or other suitable supports.

The unit can also be operated at floor level or sitting on any regular surface as well.

If the unit is to be mounted using the bracket, it is important that the fog does not shoot directly at any one’s face. Therefore, do not point the nozzle in a direction that will aim directly at a person.

Whatever installation method you choose, do not allow the unit to have more than a 15 degree angle of inclination.

REMOTE CONTROL OPERATION



VR-2 ON/OFF wired remote controller

RECOMMENDED FOG FLUID



FLW-4



FLW-20

Only use FX WORKS fluids for the FX WORKS Machine.

The machine is tested and calibrated with this fluid to get the best output performance. Warranty will be void if any other type of fluid is used. Improper use of fluid may lead to machine failure.

WARRANTY

The FXW-800 comes with a one year (365 days) limited factory warranty from FX Works. Details of the warranty coverage are specified with the included warranty card. Should you ever need warranty service, please contact your dealer or an authorized FX Works service center. All returned service items whether under warranty or not, must be freight pre-paid and accompany a return merchandise authorization (RMA) number. The RMA number must be clearly noted on the outside of the return package. A brief description of the problem as well as the RMA number must also be included in the inside the returning package. If the unit is under warranty, you must provide a copy of your proof of purchase invoice to validate your purchase. You may obtain a RMA number by contacting customer support at (951) 373-7600 x 1007.

DISCLAIMER

©FX Works all rights reserved. Information, specifications, diagrams, images, and instructions herein are subject to change without notice. FX Works and Antari Lighting and Effects Ltd. logos, identifying product names, and numbers herein are trademarks of Antari Lighting and effects Ltd. Copyright protection claimed includes all forms and matters of copyrightable materials and information now allowed by statutory or judicial law or hereinafter granted. Product names and models used in this document may be trademarks or registered trademarks of their respective companies and are hereby acknowledged. Any non-FX Works and Antari Lighting and effects Ltd. brands and product names are trademarks or registered trademarks of their respective companies.

Antari Lighting and Effects Ltd. and all affiliated companies hereby disclaim any and all liabilities for personal, private, and public property, equipment, building, and electrical damages, injuries to any persons, and direct or indirect economic loss associated with the use or reliance of any information contained within this document, and/or as a result of the improper, unsafe, insufficient and negligent assembly, installation, rigging, and operation of this product.

FXWORKS
FXW-800



COBFX0800